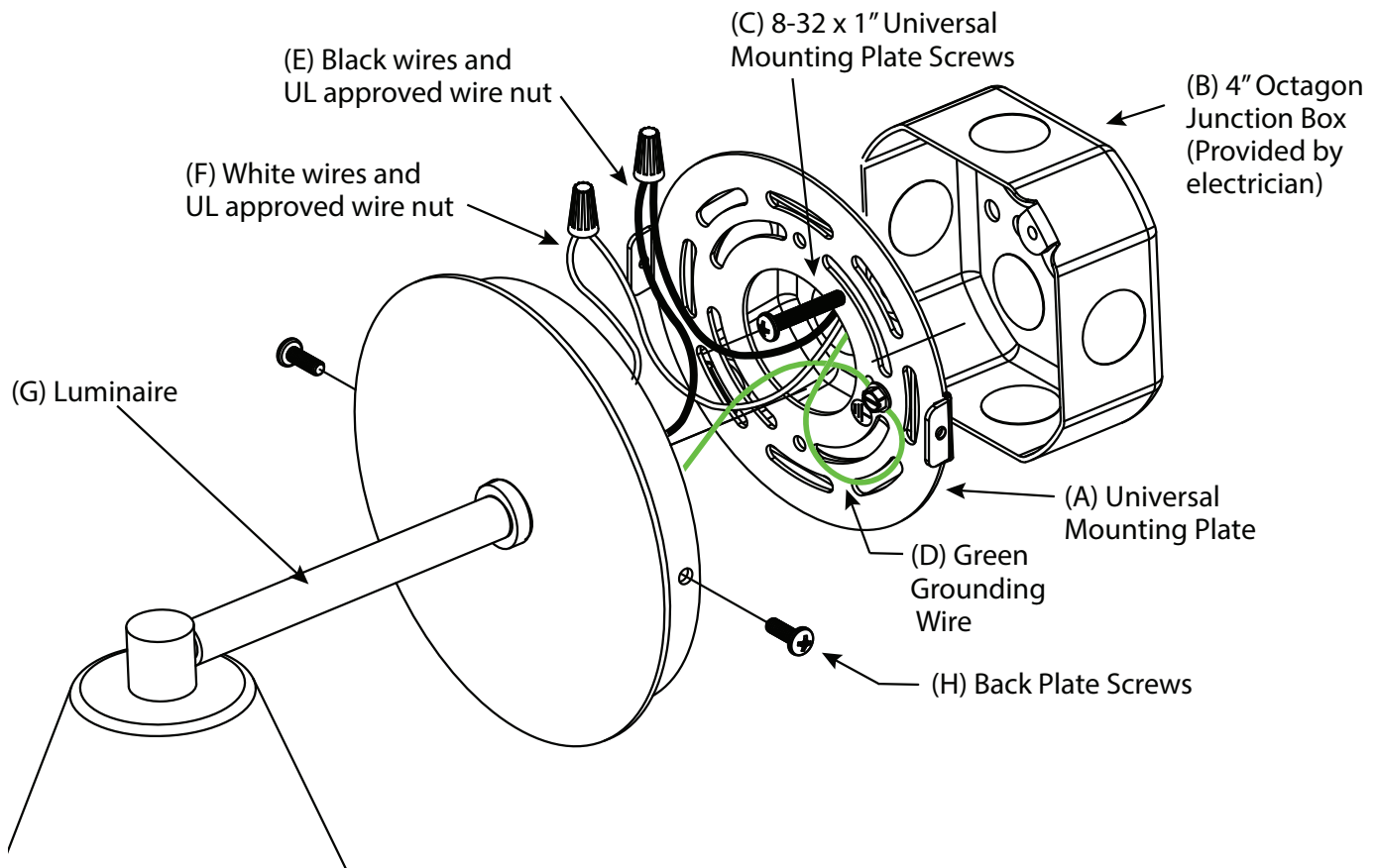


IMPORTANT

Safety, Warning and Suggestions

1. Qualified electrician is required to install this product/s.
2. Please read instructions carefully before installation.
3. All wiring and installations should meet local, state and national electrical codes.
4. Install correct lamp type and wattage.



1. **Prior to installation, disconnect power at main electrical box.**
2. Attach Universal Mounting Plate (A) to 4" Octagon Junction Box (B) using the two provided 8-32 x 1" screws (C).
3. Connect wires (green grounding Wire (D) to bare copper pig tail, black to black (E), and white to white (F) using provided UL approved wirenuts.
4. Carefully push wires into Junction Box (B) through center hole on Universal Mounting Plate (A).
5. Attach Luminaire (G) to Universal Mounting Plate with provided Back Plate Screws (H).